

BELSORP-QSA

New type of single point BET measurement

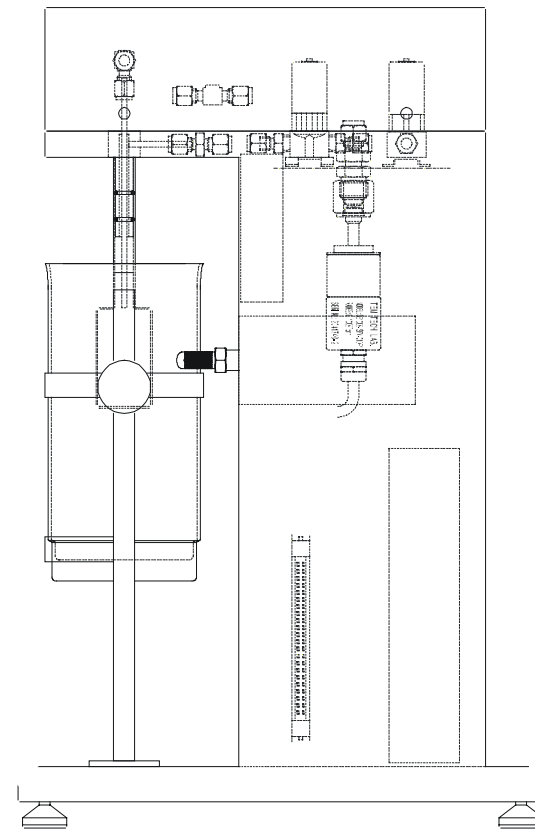
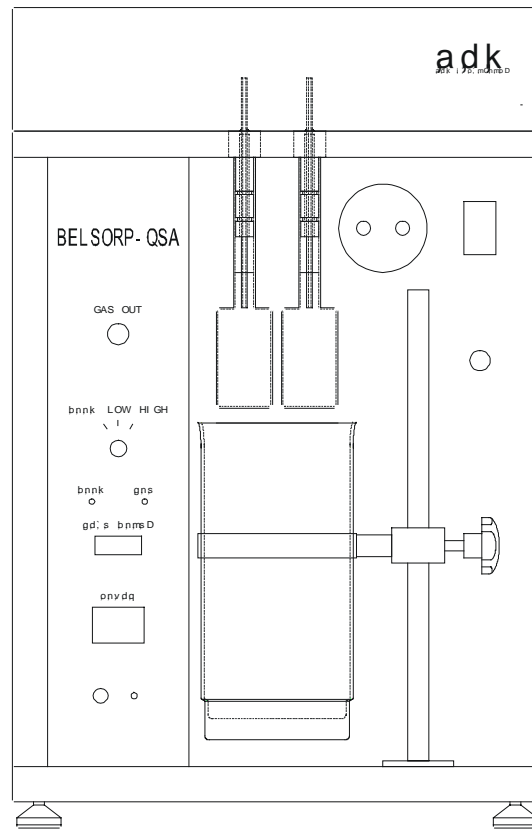
- ✓ Differential pressure gauge method
- ✓ No more vacuum pump and TCD
- ✓ No more pre-mixed gas (N₂/He), only require pure N₂
- ✓ Quick measurement within 5 min.

Disadvantage

Micropore material (Type I isotherm) doesn't fit because of equilibrium pressure will be $P/P_0=0.3$ (doesn't fit BET theory).



BELSORP-QSA



Size : 300W x 300D x 450H

BEL JAPAN, INC.



Flow diagram

